

## FEATURES & SPECIFICATIONS

LumiDas Linear High bay is a linear type bay light which can be used for various places such as industrial sites, warehouses, etc. in the USA. It can replace T5HO 54W with 3 lights and 6 lights. And it is an eco-friendly luminaire which can reduce the amount of electricity used dramatically. LumiDas Linear High bay can provide two beam angles with accessories which can offer the optimized lighting condition. And it also has various installation options such as Hanger, Pendant and Rod type, etc. LumiDas Linear High bay was adopted as a front knob type, which makes it easier to maintain and change the converter part. It can provide various options such as Wire Guard, Plate Cover, Emergency Backup Pack, Sensor, a wide use Occupancy, Daylight Sensor, etc.

### Construction

Natural convection cooling system with Dual Vent Hole. The main frame is made of heavy-duty code 22 gauge steel, which is white powder coated. Access to the electronic driver through the front cover without tools is possible for easy maintenance.

### Electrical

LEDs available in 4000K and 5000K with a CRI ≥ 80. L70 (70% lumen output) at 50,000 hours. Electronic drivers are available for 120-277V applications and 347/480V option. A standard 0-10V dimming driver is available.

### Finish

The body is finished with white powder coating, which has a high corrosion resistance.

### Optics

Standard Distribution provides high uniformity over a wide area. The optional reflector is provided for the light distribution in the aisle.

### Installation

The SLH series is suited for suspension mounting with optional hanger and chain set. Pipe or rod mounting is also available with fix bracket, pendant or rod.

### Certifications

All luminaires are built to UL1598 standard. LED complies with LM-79 and LM-80 standards. DesignLights™ Consortium (DLC) qualified on selected CCT. Please refer to the DLC website for specific product qualifications at [www.designlights.org](http://www.designlights.org)

### Warranty

Five-year limited warranty.

## PROJECT INFORMATION

Project Name

Type

Catalog No.

Date



**Linear High Bay LED**



## ORDERING INFORMATION

Example : SLH200-UM-24-ND

SLH	Product Series	Watt	Voltage	LED Lumen Output	CCT	Distribution
SLH	100 : 100W 200 : 200W	UM : 120~277V CH : 347/480V	12 : 12000lm 22 : 22000lm 24 : 24000lm	Y : 3500K N : 4000K D : 5000K	D : Diffused beam(110°)	

Lead times will vary depending on order volumes and options selected. Consult with your sales representative.

**Accessories**

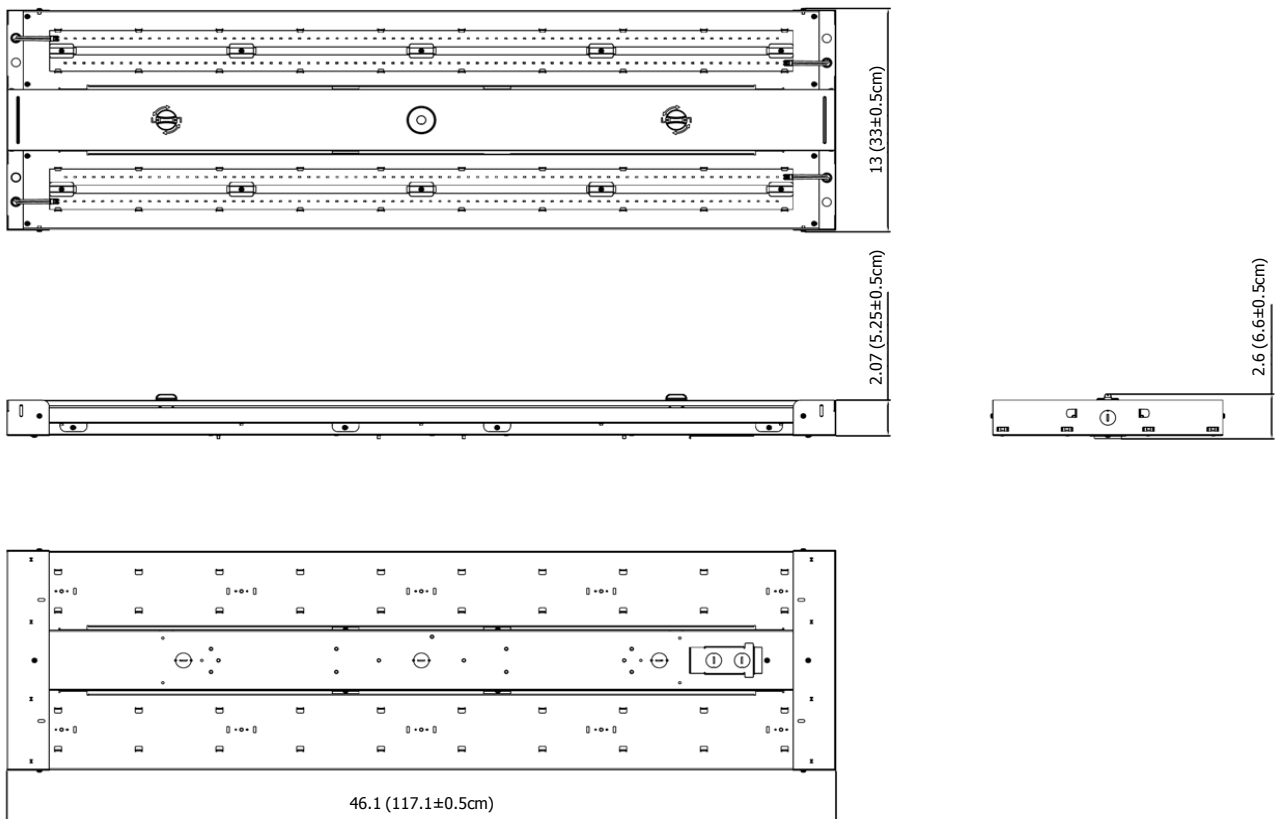
- ACC-SLH-CHC1** : Chain Hanger
- ACC-SLH-PMC1** : Pipe Mount
- ACC-SLH-PMC2**: Pipe Mount for EMB
- ACC-SLH-RMC1** : Rod Mount
- ACC-SLH-CCP1** : Clear Cover
- ACC-SLH-FCP1** : Frosted Cover
- ACC-SLH-ARP1** : Aisle Reflector
- ACC-SLH-EBP1** : EMB
- ACC-SLH-WGP1** : Wire Guard

※ Optional Accessories to be field install

Lead times will vary depending on order volumes and options selected. Consult with your sales representative.

**DIMENSION**

All dimensions are in inches (centimeters) unless otherwise indicated.  
Dimensions may vary with options or accessories



**PHOTOMETRICS**

**Description**

110° maximizes spacing and provides high uniformity. Typically used for mounting heights of 24-40feet(7.3~12.1m)

**Fixture Data**

**Ordering information** : SLH200-UM-24-DD

**CCT** : 5000K

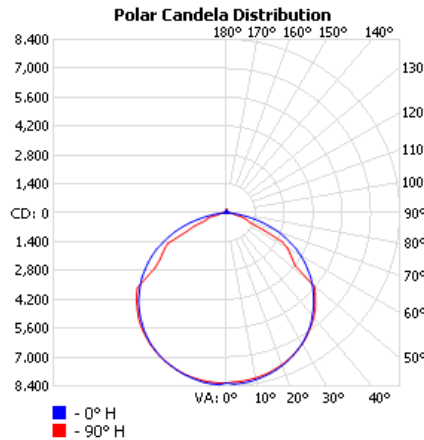
**Fixture Lumen Output** : 24,000lm

**Fixture Wattage** : 200W (100-277V)

**Fixture Efficacy Rating** : 120lm/W

**CCT Light Output Conversions**

4000K : 0.97



Zone (°)	Lumens (lm)	Luminaire (%)
0-10	797.8	3.4%
10-20	2,302.7	9.8%
20-30	3,546.3	15.1%
30-40	4,370.2	18.6%
40-50	4,652.5	19.8%
50-60	3,977.0	16.9%
60-70	2,633.2	11.2%
70-80	997.2	4.2%
80-90	203.8	0.9%

**Description**

110/60° aisle spacing and provides the light distribution suitable for the passage. Typically used for mounting heights of 24-40feet(7.3~12.1m)

**Fixture Data**

**Ordering information** : SLH200-UM-22-DD

**Accessory** : ACC-SLH-ARP1

**CCT** : 5000K

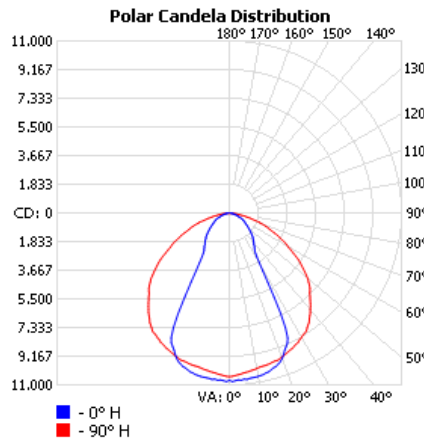
**Fixture Lumen Output** : 22,000lm

**Fixture Wattage** : 200W (100-277V)

**Fixture Efficacy Rating** : 110lm/W

**CCT Light Output Conversions**

4000K : 0.97



Zone (°)	Lumens (lm)	Luminaire (%)
0-10	996.4	4.6%
10-20	2,869.7	13.3%
20-30	4,006.4	18.6%
30-40	3,646.3	16.9%
40-50	3,610.7	16.7%
50-60	3,061.6	14.2%
60-70	2,104.8	9.7%
70-80	1,057.3	4.9%
80-90	241.4	1.1%

**Description**

110° maximizes spacing and provides high uniformity. Typically used for mounting heights of 14-30feet(4.3~9.1m)

**Fixture Data**

**Ordering information** : SLH100-UM-12-DD

**CCT** : 5000K

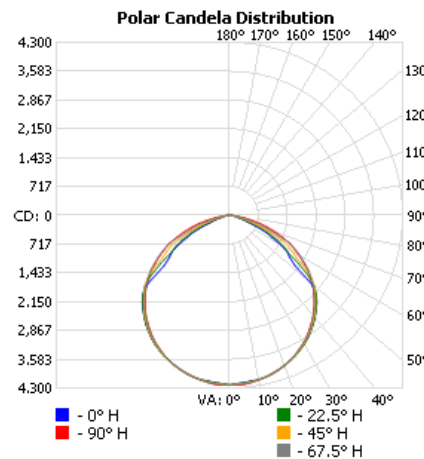
**Fixture Lumen Output** : 12,000lm

**Fixture Wattage** : 100W (100-277V)

**Fixture Efficacy Rating** : 120lm/W


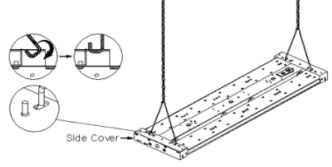
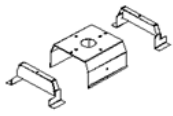
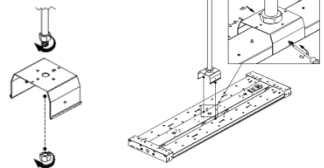
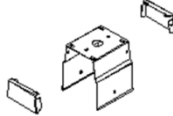
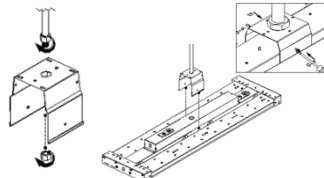
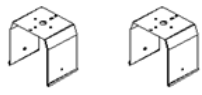
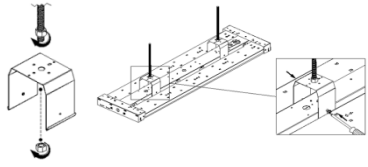
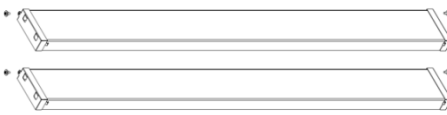
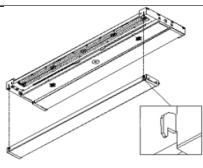
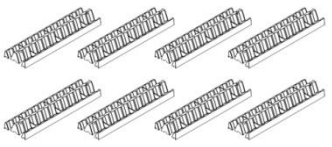
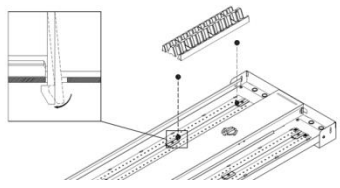
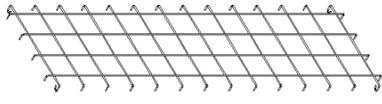
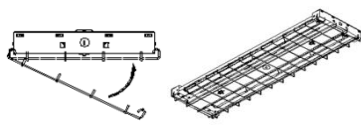
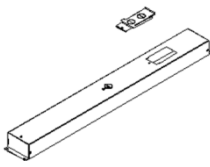
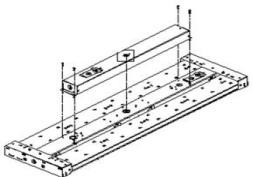
**CCT Light Output Conversions**

4000K : 0.97



Zone (°)	Lumens (lm)	Luminaire (%)
0-10	398.9	3.4%
10-20	1,151.3	9.8%
20-30	1,773.2	15.1%
30-40	2,185.1	18.6%
40-50	2,326.2	19.8%
50-60	1,988.5	16.9%
60-70	1,316.6	11.2%
70-80	498.6	4.2%
80-90	101.9	0.9%

**ACCESSORIES**

No.	Model No.	Part Name	Part List	Image
1	ACC-SLH-CHC1	Chain Hanger	 V Hanger Wire x2, 36" Chain x 2	
2	ACC-SLH-PMC1	Pipe Mount	 Fix Bracket Pendant x 1, Cover Bracket x 2, Screw x 4	
3	ACC-SLH-RMC2	Pipe Mount for EMB	 Fix Bracket Emergency x 1 Cover Bracket Emergency x 2, Screw x 4	
4	ACC-SLH-RMC1	Rod Mount	 Fix Bracket Rod x 2, Screw x 2	
5	ACC-SLH-CCP1	Clear Cover	 Cover Ass'y x 2, Screw x 4	
6	ACC-SLH-FCP1	Frosted Cover		
7	ACC-SLH-ARP1	Aisle Reflector	 Reflector x 8	
8	ACC-SLH-WGP1	Wire Guard	 Wire Guard x 1, Protection Wire x 2	
9	ACC-SLH-EBP1	EMB	 Emergency Battery x 1 Emergency Cover x 1 Access Plate x 1 Bushing x 2 Screw x 4	

※ Optional Accessories to be field install

**COMPATIBLE DIMMERS**

Manufacture	Series	Model No.	Voltage
Lutron	Nova T	NTSTV-DV	120 ~ 277
	Nova	NFTV	120 ~ 277
	Diva	DVSTV	120 ~ 277
	Diva	DVSCSTV	120 ~ 277
	Diva	DVSTV	24V
	Diva	DVTV	24V
LEVITON	Renoir	AWSMG-7DW	120 ~ 277
		AWRMG-7DW	120 ~ 277
	Decora	IP710-DLZ	120 ~ 277
LIGHTOLIER	VEGA	V2000FAMUW	120 ~ 277
Cooper Industries	-	SP10P-W	120 ~ 277
Hunt	-	PS-LED-010	120 ~ 277
		PS-010-3W-120V	120
		PS-010-3W-277V	277

※ Please consult factory for dimming related questions. Dimmer provided by others.

**COMPATIBLE SENSORS**

Manufacture	Series	Model No.	Voltage
SensorSwitch	LSXR	All Models	120 ~ 277, 480V
Wattstopper	HBP	All Models	120 ~ 277, 480V

※ Sensor to be field install

※ Please consult factory for additional sensor setting related questions.