

## FEATURES & SPECIFICATIONS

LumiDas-SL 170W replaces conventional Metal Halide, Sodium and Mercury vapor lamps for industrial facilities such as factory, distribution center and warehouse. The MOSFIC( Modular Stacked Fins Cooling System with Epoxy Junction) heat sink system is a unique technology to increase the emission of heat and to decrease the weight of products. This effective heat systems which make easy to dissipate the heat outside guarantee outstanding reliability, color consistence and lumen maintenance.

### Construction

Powder coated SPCC Secondary Reflector(Optional)  
 Aluminum Die casting Body and MOSFIC  
 Powder coated SPCC Junction Box  
 SUS Carabiner and Chain  
 3.2T Tempered Glass  
 Weight : 5Kg(11lb)

### Performance

Lumen Output : 17,000lm  
 Efficacy : 100lm/W  
 CRI : 70+

### Electrical

Integral, High Efficiency Driver  
 Input Voltage (200-277V, 50/60Hz)  
 Power Factor: >0.9  
 Surge Protection : 10kV

### Environmental

IP65 : Optics and LED Driver  
 Operating Temperature : -25°C to 50°C(-25°F to 122 °F)  
 Operation Humidity : 5 to 95%

### Listing(Pending)

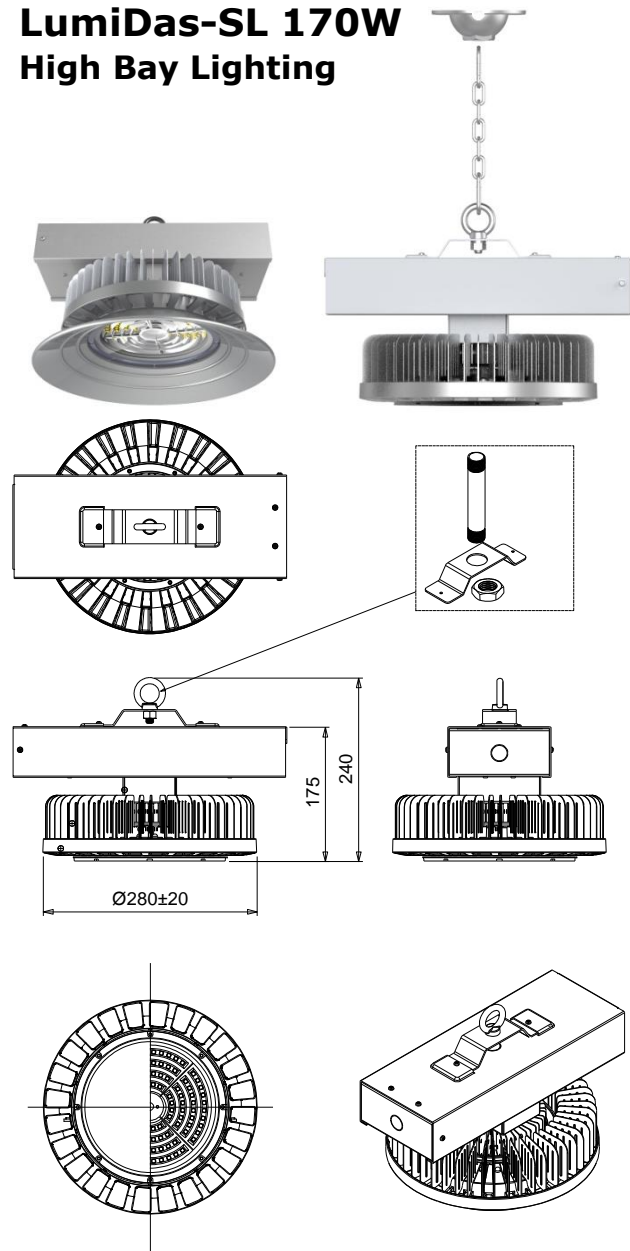
UL(cUL) Listed  
 FCC  
 DesignLights Consortium



### Warranty

5 YEARS limited warranty.  
 Minimum 50,000 hours lifetime

## LumiDas-SL 170W High Bay Lighting



All dimensions are millimeters  
 Unless otherwise indicated

## ORDERING INFORMATION

Example: SL170N-KM-PFB(DD)

| Model Name        | Power Consumption | Input Voltage    | Installation                | ( CCT )       | Option Optic - S )        |
|-------------------|-------------------|------------------|-----------------------------|---------------|---------------------------|
| SL Super          | 170N<br>170W      | KM<br>(200/277V) | PFB<br>Pendant type         | D<br>: 5,000K | W 60°<br>: Wide Reflector |
| HighBay LED Light |                   |                  | Fixed Type<br>Built-in Type |               | D 95°<br>: Diffused       |

Lead times will vary depending on order volumes and options selected. Consult with your sales representative.

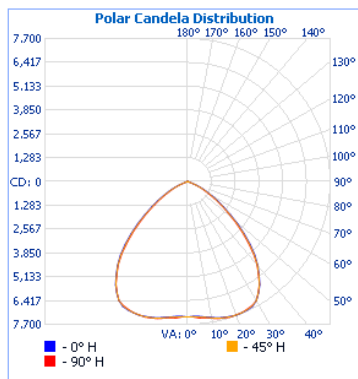
# LumiDas-SL 170W

## High Bay Lighting

### PHOTOMETRICS

**SL170-KM-PFB(DD)**, 17,000 delivered lumens, tested by Dongbu Lightec Lab, tested in accordance to IESNA LM-79

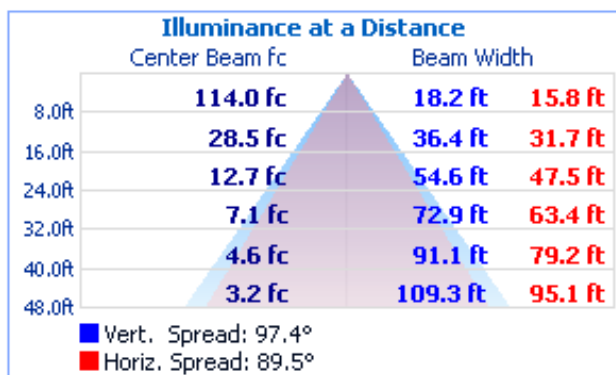
#### POLAR GRAPH



#### LUMENS PER ZONE

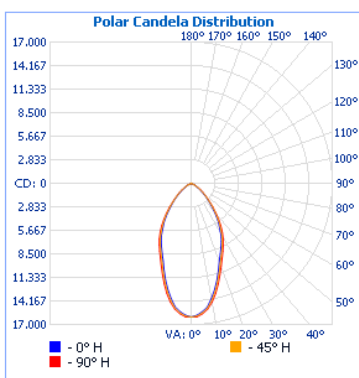
| Lumens Per Zone |         |         |
|-----------------|---------|---------|
| Zone            | Lumens  | % Total |
| 0-10            | 703.9   | 4.1%    |
| 10-20           | 2,152.6 | 12.6%   |
| 20-30           | 3,510.1 | 20.6%   |
| 30-40           | 4,192.6 | 24.6%   |
| 40-50           | 3,587.6 | 21.0%   |
| 50-60           | 2,071.1 | 12.1%   |
| 60-70           | 770.3   | 4.5%    |
| 70-80           | 58.4    | 0.3%    |
| 80-90           | 7.8     | 0.0%    |

#### CONE DIAGRAM at 48 Ft



**SL170-KM-PFB(DW)**, 17,000 delivered lumens, tested by Dongbu Lightec Lab, tested in accordance to IESNA LM-79

#### POLAR GRAPH



#### LUMENS PER ZONE

| Lumens Per Zone |         |         |
|-----------------|---------|---------|
| Zone            | Lumens  | % Total |
| 0-10            | 1,448.0 | 8.7%    |
| 10-20           | 3,411.5 | 20.6%   |
| 20-30           | 4,023.4 | 24.3%   |
| 30-40           | 3,686.4 | 22.2%   |
| 40-50           | 2,389.8 | 14.4%   |
| 50-60           | 1,195.5 | 7.2%    |
| 60-70           | 389.3   | 2.3%    |
| 70-80           | 31.1    | 0.2%    |
| 80-90           | 7.1     | 0.0%    |

#### CONE DIAGRAM at 48 Ft

